



Marine Aluminum Door

 **ZHIYOU MARINE**
Marine & Offshore Equipment Supplier

Shanghai Zhiyou Marine & Offshore Equipment Co., Ltd

Web: www.marineoutfittings.com

Email: info@marineoutfittings.com

Tel: +86 21 5645 2367

Brief

Marine aluminum doors are capable of working excellently in marine environment which is mostly humid and corrosion. The accessories are also made of anti-corrosion materials, such as stainless steel and aluminum alloy. And its porthole which is embedded in the door leaf are safety toughness glass. This kind of marine aluminum weather-tight door are widely used in marine tugboat, ferries etc.

Specification

Customized design/production is available.

Ready for bolting directly to bulkhead or wall.

Sizes are all customized, and ready to fit.

Available in natural finish, primed or coated in accordance with specific requirements.

Options for lock, door closer facilities and porthole etc.

Material of clips and edges can be cast steel or stainless steel.

Other requirements.

Dimensions

Nominal Size	Bulkhead Cutting Size	External Size
1000×500	1080×580	1132×632
1200×500	1280×580	1332×632
1400×500	1480×580	1532×632
1200×600	1280×680	1332×732
1400×600	1480×680	1532×732
1600×650	1680×730	1732×782
1600×700	1680×780	1732×832
1600×750	1680×830	1732×882
1700×600	1780×680	1832×732
1700×700	1780×780	1832×832

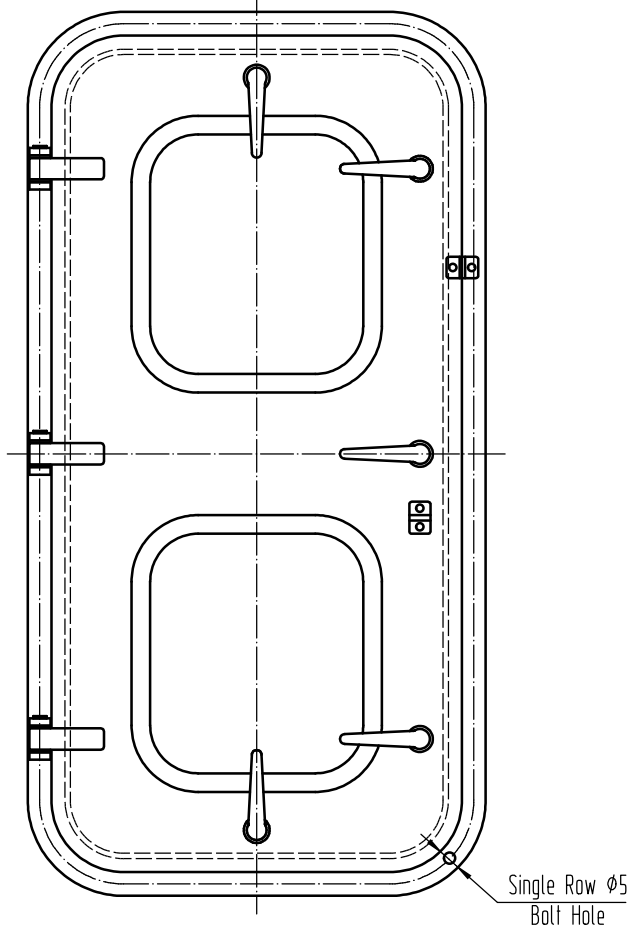
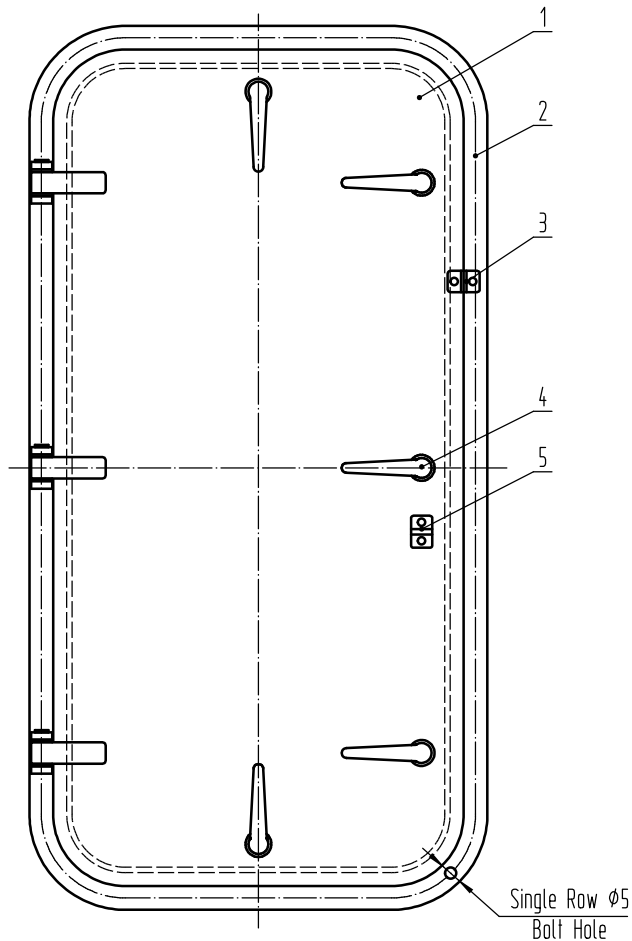
*Note: Contained within the sheet above are dimensions for reference only, customized solution or any other requirements please [contact us](#).

The drawings are for reference only, not used as production drawings. 此圖紙僅供參考，不作為生產圖紙。

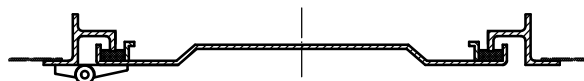
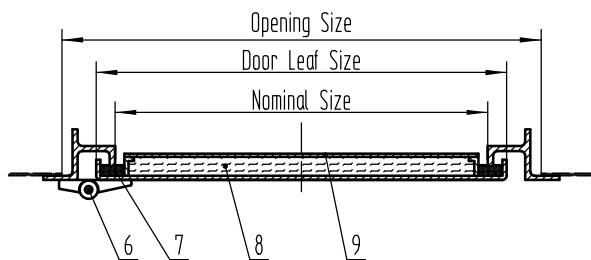
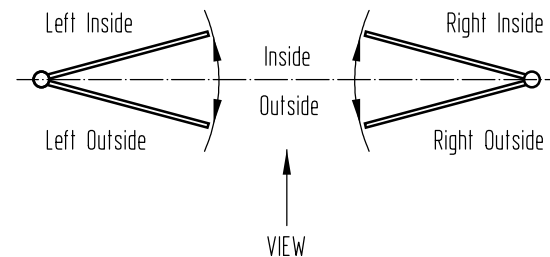
9	Blanking Plate	Aluminium Alloy	
8	Packing	Glass Wool	
7	Sealing	Aging-resistance Rubber	
6	Hinge	Wrought Aluminium	
5	Door Hook	Aluminium Alloy	
4	Clip	Stainless Steel	4/5
3	Lock Latch	Aluminium Alloy	
2	Door Frame	Aluminium Alloy	
1	Door Leaf	Aluminium Alloy	
NO.	NAME	MATERIAL	REMARK

Framed Model

Tooling Model



DEFINITION OF DOOR OPENING DIRECTION



				Shanghai Zhiyou Marine & Offshore Equipment Co., Ltd Room 405, Fudan Software Park, 188 Changyi Road, Shanghai China. Tel: +86-21-5645-2367 Email: sales@zhiyoumarine.com info@marineoutfittings.com Web: www.zhiyoumarine.com www.marineoutfittings.com			
				Dwg Name	Marine Weathertight Single-Leaf Aluminum Door		
Rev	Description	Date	Scale	1:1 @A3	Dwg No.	ZY-D-002-02	
Note	All dimensions are in millimeters unless otherwise specified.		Sheet	2/3	CB/T 454-1997		

The drawings are for reference only, not used as production drawings. 此圖紙僅供參考，不作為生產圖紙。